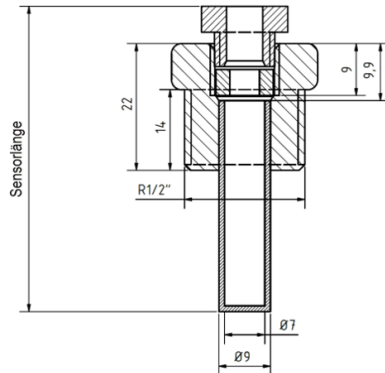
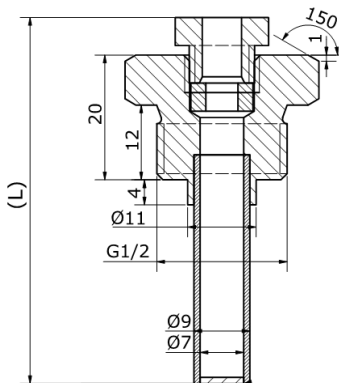


Tauchhülsen

DIGICONTROL T-THM...-T | T-THN...-T

ABMESSUNGEN

**Material:** CuZn37 (MS63)**Material:**

Rohr: 1.4571 (V4A)

Drehteil: 1.4404 (V4A)

ANWENDUNGSAUSSCHLUSS

Dieses Produkt ist für den Einsatz in sicherheitsrelevanten Anwendungen nicht geeignet.

Bosch Building Automation GmbH
 Kapellenweg 42
 D-33415 Verl
 Tel.: +49 (0) 5246 962-0
 www.digicontrol.info

13.10.2023 / Rev.0

Immersion sleeves

DIGICONTROL T-THM...-T | T-THN...-T**APPLICATION**

Immersion sleeves with compression fitting for immersion temperature sensors F-ROF...-T and cable temperature sensors F-KTF-T for mounting in pipes and vessels.



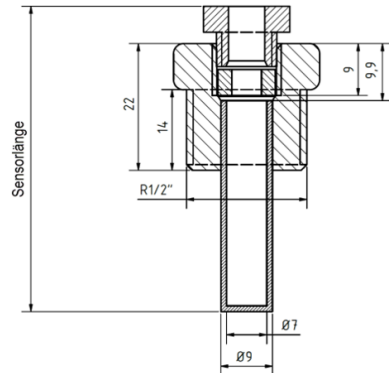
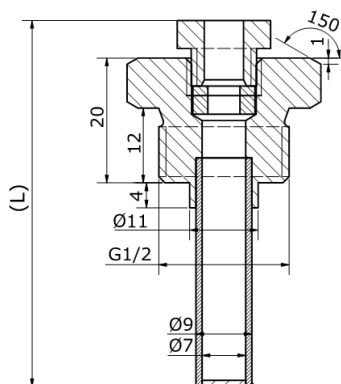
Abbildung: T-TH...-T

TYPE	FLOW VELOCITY	OPERATING PRESSURE	MATERIAL	AMBIENT TEMPERATURE	SENSOR LENGTH
T-THM100-T	max. 11.2 m/s	16 bar	Brass	up to 130 °C	100 mm
T-THM150-T	max. 7.1 m/s	16 bar	Brass	up to 130 °C	150 mm
T-THM200-T	max. 3.9 m/s	16 bar	Brass	up to 130 °C	200 mm
T-THM250-T	max. 2.5 m/s	16 bar	Brass	up to 130 °C	250 mm
T-THM300-T	max. 1.5 m/s	16 bar	Brass	up to 130 °C	300 mm
T-THM450-T	max. 0 m/s	16 bar	Brass	up to 130 °C	450 mm
T-THN100-T	max. 13.0 m/s	40 bar	Stainless steel	up to 200 °C	100 mm
T-THN150-T	max. 8.3 m/s	40 bar	Stainless steel	up to 200 °C	150 mm
T-THN200-T	max. 5.4 m/s	40 bar	Stainless steel	up to 200 °C	200 mm
T-THN250-T	max. 3.4 m/s	40 bar	Stainless steel	up to 200 °C	250 mm
T-THN300-T	max. 2.3 m/s	40 bar	Stainless steel	up to 200 °C	300 mm
T-THN450-T	max. 0 m/s	40 bar	Stainless steel	up to 200 °C	450 mm

TECHNICAL DATA

Mounting type Screw-in thread G 1/2"

Immersion sleeves

DIGICONTROL T-THM...-T | T-THN...-T**DIMENSIONS****Material:** CuZn37 (MS63)**Material:**

Tube: 1.4571 (V4A)

Turning part: 1.4404 (V4A)

EXCLUSION OF APPLICATION

This product is not suitable for use in safety-related applications.

Bosch Building Automation GmbH
 Kapellenweg 42
 D-33415 Verl
 Tel.: +49 (0) 5246 962-0
 www.digicontrol.info

13.10.2023 / Rev.0